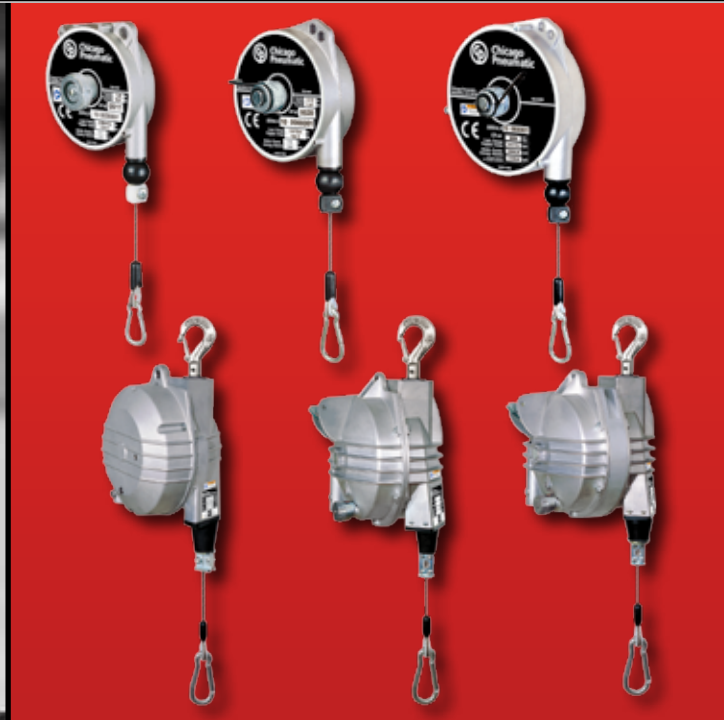




Chicago Pneumatic



www.cp.com

CP99 Balancers

**High-performance products.
Designed for you!**

CP Balancers

The CP balancers are premium quality products developed to shift the weight of the tool away from the operator's arm.

They eliminate stress and fatigue and help improve productivity. Ideally suited for heavy tools and/or repetitive tasks.

Supporting weights from 0 up to 105 kg (231 lbs.), they will cover most of your application needs.

Spring Retractors / Reaction Free Balancers - Differences?



Spring retractor:

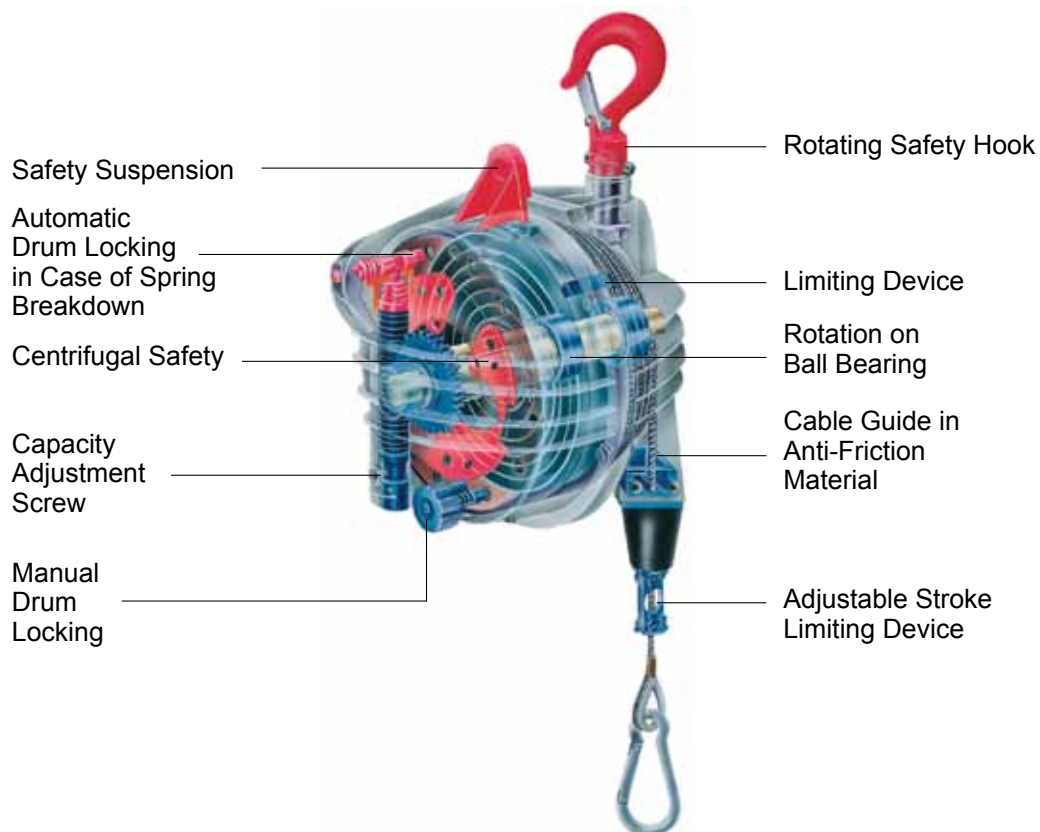
- Cylindrical shape
- Automatic load retraction
- Working area remains free



Reaction free:

- Conical shape
- Constant retracting force
- Holds the selected height

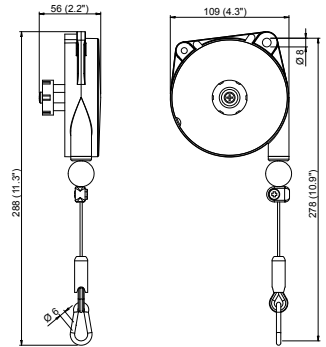
Standard Security Features:



Balancers - CP9911 to CP9950



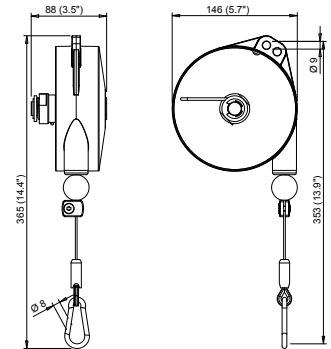
- Light duty 0.4 to 3 kg (0.8 to 6.6 lbs) balancers
- Cable made of stainless steel
- Aluminum housing
- 1,600 mm (5.2 ft) cable stroke



MODEL	PART NUMBER	LOAD RANGE		STROKE		WEIGHT	
		kg	lb.	mm	ft	kg	lb.
CP9911	894 109 9110	0.4-1.0	0.8-2.2	1,600	5.2	0.6	1.3
CP9912	894 109 9120	1.0-2.0	2.2-4.4	1,600	5.2	0.6	1.3
CP9913	894 109 9130	2.0-3.0	4.4-6.6	1,600	5.2	0.7	1.5



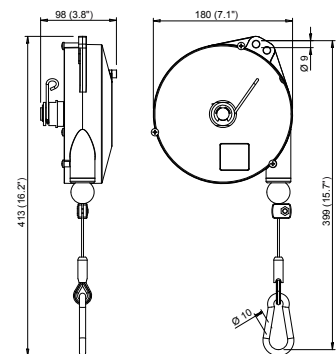
- Medium duty 1 to 8 kg (2.2 to 17.6 lbs) balancers
- Cable made of stainless steel
- Aluminum housing
- 2,000 mm (6.5 ft) cable stroke



MODEL	PART NUMBER	LOAD RANGE		STROKE		WEIGHT	
		kg	lb.	mm	ft	kg	lb.
CP9920	894 109 9200	1.0-2.5	2.2-5.5	2,000	6.5	2.0	4.4
CP9921	894 109 9210	2.0-4.0	4.4-8.8	2,000	6.5	2.0	4.4
CP9922	894 109 9220	4.0-6.0	8.8-13.2	2,000	6.5	2.3	5.1
CP9923	894 109 9230	6.0-8.0	13.2-17.6	2,000	6.5	2.5	5.5



- Medium duty 2 to 14 kg (4.4 to 30.8 lbs) balancers
- Cable made of stainless steel
- Aluminum housing
- 2,500 mm (8.2 ft) cable stroke



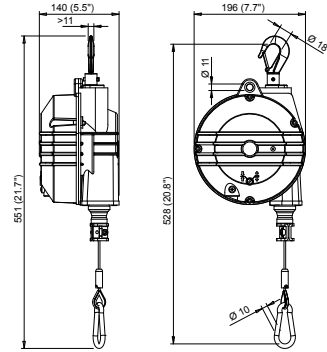
MODEL	PART NUMBER	LOAD RANGE		STROKE		WEIGHT	
		kg	lb.	mm	ft	kg	lb.
CP9936	894 109 9360	2.0-4.0	4.4-8.8	2,500	8.2	2.9	6.4
CP9937	894 109 9370	4.0-6.0	8.8-13.2	2,500	8.2	3.2	7.1
CP9938	894 109 9380	6.0-8.0	13.2-17.6	2,500	8.2	3.5	7.7
CP9939	894 109 9390	8.0-10.0	17.6-22.0	2,500	8.2	3.7	8.2
CP9940	894 109 9400	10.0-14.0	22.0-30.8	2,500	8.2	4.0	8.8
CP9946*	894 109 9460	2.0-4.0	4.4-8.8	2,500	8.2	3.0	6.6
CP9947*	894 109 9470	4.0-6.0	8.8-13.2	2,500	8.2	3.3	7.3
CP9948*	894 109 9480	6.0-8.0	13.2-17.6	2,500	8.2	3.6	7.9
CP9949*	894 109 9490	8.0-10.0	17.6-22.0	2,500	8.2	3.8	8.4
CP9950*	894 109 9500	10.0-14.0	22.0-30.8	2,500	8.2	4.0	8.8

* Equipped with a stroke locking device

Balancers - CP9954 to CP9971



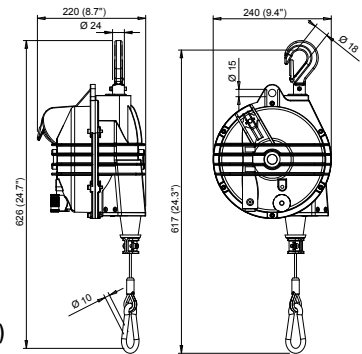
- Medium to heavy duty 4 to 25 kg (8.8 to 55 lbs) balancers
- Optional friction brake device
- Cable made of stainless steel
- Aluminum housing
- 2,000 mm (6.5 ft) cable stroke



MODEL	PART NUMBER	LOAD RANGE		STROKE		WEIGHT	
		kg	lb.	mm	ft	kg	lb.
CP9954	894 109 9540	4.0-7.0	8.8-15.4	2,000	6.5	5.0	11.0
CP9955	894 109 9550	7.0-10.0	15.4-22.0	2,000	6.5	5.5	12.1
CP9956	894 109 9560	10.0-14.0	22.0-30.9	2,000	6.5	5.5	12.1
CP9957	894 109 9570	14.0-18.0	30.9-39.7	2,000	6.5	6.5	14.3
CP9958	894 109 9580	18.0-22.0	39.7-48.5	2,000	6.5	6.0	13.2
CP9959	894 109 9590	22.0-25.0	48.5-55.1	2,000	6.5	6.6	14.6



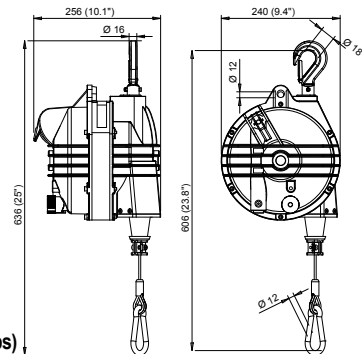
- Heavy duty 25 to 75 kg (55 to 165 lbs) balancers
- Cable made of stainless steel
- Aluminum housing
- 2,000 mm (6.5 ft) cable stroke



MODEL	PART NUMBER	LOAD RANGE		STROKE		WEIGHT	
		kg	lb.	mm	ft	kg	lb.
CP9964	894 109 9640	25-30	55-66	2,000	6.5	11.5	25.4
CP9965	894 109 9650	30-35	66-77	2,000	6.5	11.8	26.0
CP9966	894 109 9660	35-45	77-99	2,000	6.5	12.4	27.3
CP9967	894 109 9670	45-55	99-121	2,000	6.5	12.5	27.6
CP9968	894 109 9680	55-65	121-143	2,000	6.5	13.6	30.0
CP9969	894 109 9690	65-75	143-165	2,000	6.5	14.5	32.0



- Super heavy duty 75 to 105 kg (165 to 231 lbs) balancers
- Cable made of stainless steel
- Aluminum housing
- 2,000 mm (6.5 ft) cable stroke



MODEL	PART NUMBER	LOAD RANGE		STROKE		WEIGHT	
		kg	lb.	mm	ft	kg	lb.
CP9970	894 109 9700	75-90	165-198	2,000	6.5	17.3	38.1
CP9971	894 109 9710	90-105	198-231	2,000	6.5	18.0	39.7

Accessories

Chicago Pneumatic provides a wide range of accessories to help our customers use their tools as efficiently as possible.



Air preparation unit



Hose reel



Impact socket



Blow gun



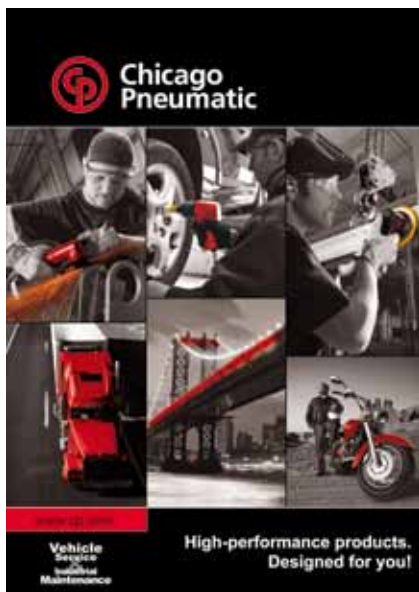
Oil



Abrasive



Ergonomics



For more information on tools and accessories please visit our website or ask your local representative for a copy of our latest Chicago Pneumatic general catalogue.



Over 100 years of experience

Since 1901 the Chicago Pneumatic name has represented high-performance tools and equipment designed for an extensive range of applications. Today, Chicago Pneumatic has a global reach, with local customer centers around the world. Chicago Pneumatic tools and air compressors are tailored to the needs of the industrial, vehicle service, and construction markets. Every day we develop and manufacture new products that are meant to meet your demands not only today, but tomorrow as well.

To learn more about our extensive range of tools, hydraulic attachments, industrial and portable compressors, accessories and workshop equipment, please visit www.cp.com.

Please find your local contact at : www.cp.com

